



Sm62_LED



TYPE OF PRODUCTS

Recessed LED luminaires IP65, access from the bottom. Smooth opal optics. Wide range of powers and dimensions. Installation in clip'in modular false ceilings, 600 or 625 modules.

MECHANICAL CONSTRUCTION

Luminaire housing made of 0,8mm steel. Powder coated with KilBac white RAL 9003, certified qualicoat class 1 and antibacterial. Lower frame in aluminium white lacquered, screwed on the luminaire structure through 8 stainless steel screws, closed by overlapping.

LED MODULES

Zagha LED modules Book7, L28W6, with an energy efficiency until 185 Lm/W, rated AA+. Assembled on a 2 mm aluminium plate to ensure an optimal heat dissipation for the lifespan of the LEDs. 3SDCM. Colour rendering index 85. Expected luminous flux : L80 at 70.000 h.

OPTICS

- **OPMI** : opal diffuser in PMMA, recommended for its high chemical resistance.
- **MPPC** : clear polycarbonate diffuser + inner microprismatic plate. High visual comfort and impact resistance.
- **MPVR** : clear tempered glass diffuser + inner microprismatic plate. High visual comfort, easy cleaning excellent ageing.

CONTAMINATION CONTROL

Reduced risk of microbial growth :

- >> **KilBac** technology, broad spectrum antibacterial finish with silver ions (BioCote, validated according to ISO 22196).
- >> **CleanSeal** technology, use of two-component antimicrobial seals according to VDI-6022 and DIN EN ISO 846.

The mechanical construction of the luminaire ensures a particle emission class 3 according to ISO 14644-14. This range is made without silicone.

H₂O₂ RESISTANCE

The components that may come into contact with hydrogen peroxide during the decontamination process were tested by cyclic, direct and prolonged contact with a 35% H₂O₂ solution.

TEMPERATURE AND HUMIDITY

Reference ambient temperature : 20°C / 68°F. Operating temperature range : 5 to 25°C / 41 to 77 °F (the temperature affects the lifetime of the LEDs). For environments with a moisture content of more than 70%, we recommend the use of lacquered INOX 304 for the housing, in option.

POWER SUPPLY

Luminaires supplied with European-branded electronic driver. Rated voltage 220-240 V 50/60 Hz. Access to the luminaire from the bottom. DALI dimming (GDA) available in option.

INSTALLATION

Flush mounting of the housing in clip'in modular false ceiling :

- **Through gravity** with clampings (supplied with the luminaire), which allow, thanks to the **Isoflex** system, an installation from inside the lighting while maintaining watertightness. Clampings need to be mounted on the top from the grid ceiling.

WIRING

By a waterproof Wieland connector fixed on the top of the luminaire (installation on flexible cord).



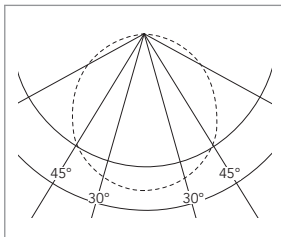
OPTIONS



KS3 emergency kit

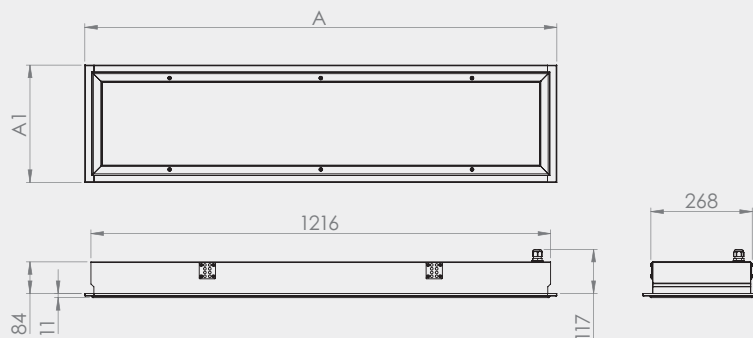
Philips Trustsight BASIC kit, 3.6 V 4000 mAh NiMH battery, power supply 3 W for 3 h, approx. 300 Lm.

PHOTOMETRY

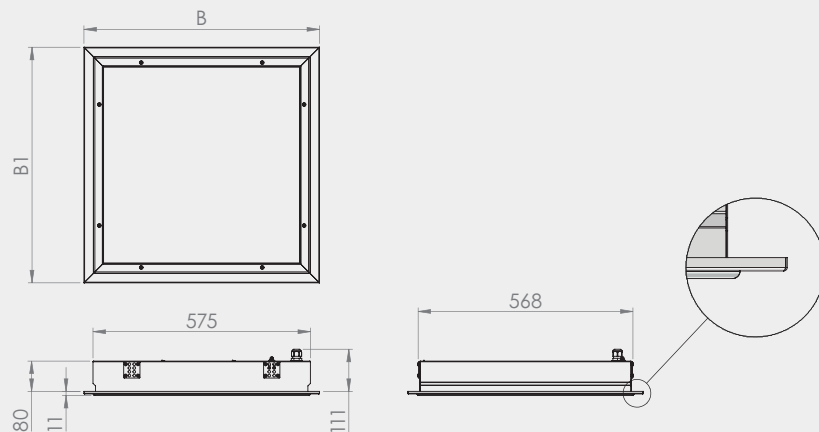


DIMENSIONS (mm)

TYPE A



TYPE B

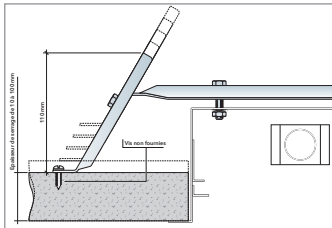


REFERENCES AND FEATURES

CODE	REFERENCE	Type	A or B	A1 ou B1	Cut-out (mm)	P (W)	Emitted flux (Lm)	Weight (Kg)
MODULE 625								
OPMI optics - Opal diffuser PMMA								
EDO2215EPF	Sm62 CI OPMI 623/623 3900/1 37/840 EPF	B	623	623	580x580	37	3900	9,5
EDO2216EPF	Sm62 CI OPMI 623/623 5800/1 55/840 EPF	B	623	623	580x580	55	5800	9,5
EDO2217EPF	Sm62 CI OPMI 1248/310 5000/1 47/840 EPF	A	1248	310	1180x280	47	5000	9,5
EDO2218EPF	Sm62 CI OPMI 1248/310 7000/1 65/840 EPF	A	1248	310	1180x280	65	7000	9,5
MPPC optics - Clear polycarbonate diffuser + inner microprismatic								
EDO2305EPF	Sm62 CI MPPC 623/623 3500/1 37/840 EPF	B	623	623	580x580	37	3500	9,5
EDO2306EPF	Sm62 CI MPPC 623/623 5200/1 55/840 EPF	B	623	623	580x580	55	5200	9,5
EDO2307EPF	Sm62 CI MPPC 1248/310 4500/1 47/840 EPF	A	1248	310	1180x280	47	4500	9,5
EDO2308EPF	Sm62 CI MPPC 1248/310 6300/1 65/840 EPF	A	1248	310	1180x280	65	6300	9,5
MPVR optics - Clear glass diffuser + inner microprismatic								
EDO2312EPF	Sm62 CI MPVR 623/623 3500/1 37/840 EPF	B	623	623	580x580	37	3500	12
EDO2313EPF	Sm62 CI MPVR 623/623 5200/1 55/840 EPF	B	623	623	580x580	55	5200	12
EDO2314EPF	Sm62 CI MPVR 1248/310 4500/1 47/840 EPF	A	1248	310	1180x280	47	4500	12
EDO2315EPF	Sm62 CI MPVR 1248/310 6300/1 65/840 EPF	A	1248	310	1180x280	65	6300	12
MODULE 600								
OPMI optics - Opal diffuser PMMA								
EDO2227EPF	Sm62 CI OPMI 599/599 3900/1 37/840 EPF	B	599	599	580x580	37	3900	9,5
EDO2228EPF	Sm62 CI OPMI 599/599 5800/1 55/840 EPF	B	599	599	580x580	55	5800	9,5
EDO2229EPF	Sm62 CI OPMI 1199/299 5000/1 47/840 EPF	A	1199	299	1180x280	47	5000	9,5
EDO2230EPF	Sm62 CI OPMI 1199/299 7000/1 65/840 EPF	A	1199	299	1180x280	65	7000	9,5
MPPC optics - Clear polycarbonate diffuser + inner microprismatic								
EDO2297EPF	Sm62 CI MPPC 599/599 3500/1 37/840 EPF	B	599	599	580x580	37	3500	9,5
EDO2298EPF	Sm62 CI MPPC 599/599 5200/1 55/840 EPF	B	599	599	580x580	55	5200	9,5
EDO2299EPF	Sm62 CI MPPC 1199/299 4500/1 47/840 EPF	A	1199	299	1180x280	47	4500	9,5
EDO2300EPF	Sm62 CI MPPC 1199/299 6300/1 65/840 EPF	A	1199	299	1180x280	65	6300	9,5
MPVR optics - Clear glass diffuser + inner microprismatic								
EDO2293EPF	Sm62 CI MPVR 599/599 3500/1 37/840 EPF	B	599	599	580x580	37	3500	12
EDO2294EPF	Sm62 CI MPVR 599/599 5200/1 55/840 EPF	B	599	599	580x580	55	5200	12
EDO2295EPF	Sm62 CI MPVR 1199/299 4500/1 47/840 EPF	A	1199	299	1180x280	47	4500	12
EDO2296EPF	Sm62 CI MPVR 1199/299 6300/1 65/840 EPF	A	1199	299	1180x280	65	6300	12

Light and power output tolerance $\pm 10\%$

ACCESSORIES



Clamping brackets

CODE	REFERENCE
Clamping brackets for false ceilings from 13 to 100 mm. Allow to increase the clamping pressure on the false ceiling.	
A1000ACC	PTTS DUO
A1001ACC	PTTS TRIO/QUARTO
Security steel cable	
A1021ACC	Rope kit Duo Ir77-Ra88 (for format type A, C and D)
A1022ACC	Rope kit Quarto Ir77-Ra88 (for format type B)

Standards and warranty

Compliance : information on the compliance of our products with the relevant standards and directives is available on our website.

Warranty : our warranty conditions are indicated in our general terms and conditions of sale. There are special conditions depending on the product range. These conditions can be checked on our website : www.isoone-cleanroom-lighting.com/conditions-generales-de-vente/

Temperature and switches on : the operating temperature and the number of daily switches have an influence on the lifetime of the products. Our luminaires are designed to withstand at least 15.000 switches on following EU 1194/2012.

Please consult us for more information.

Note

ISOONE reserves the right to modify or update this document at any time within the framework of the technological evolution and the updating of our technical documentation. Despite the care taken in the design and the updating of this card, it can not under any circumstances constitute a contractual document.

Sm62_LED

UE Declaration of Conformity

LA MANUFACTURE DE FRANCE SAS
18 rue Jean Monnet
31240 Saint-Jean

CERTIFIES,
under its own responsibility, that the ISOONE luminaires **Sm62_LED**

EDO2215EPF	EDO2305EPF	EDO2312EPF	EDO2227EPF	EDO2297EPF	EDO2293EPF
EDO2216EPF	EDO2306EPF	EDO2313EPF	EDO2228EPF	EDO2298EPF	EDO2294EPF
EDO2217EPF	EDO2307EPF	EDO2314EPF	EDO2229EPF	EDO2299EPF	EDO2295EPF
EDO2218EPF	EDO2308EPF	EDO2315EP	EDO2230EPF	EDO2300EPF	EDO2296EPF

are designed and manufactured in accordance with the following harmonized directives and standards :

SECURITY

2014/35/UE (26/02/2014)	Electrical equipment designed for use within certain voltage limits.
EN 60598-1 : 2015	Luminaires - Part 1 : General requirements and tests.
EN 60598-2-2 : 2012	Luminaires - Part 2-1 : Particular requirements - Fixed luminaires for general lighting.
EN 62493 : 2015	Assessment of lighting equipment related to human exposure to electromagnetic Field.
EN 62471 : 2008	Photobiological safety of lamps and devices using lamps.

ELECTROMAGNETIC COMPATIBILITY

2014/30/UE (26/02/2014)	European « EMC » Directive.
EN 55015 : 2013 + A1 : 2015	Limits and methods of measurement of electrical radio interference from electrical lighting and similar equipment.
EN 61000-3-2 : 2019	Electromagnetic compatibility (EMC) - Part 3-2 : Limits - Limits for harmonic current emissions (current drawn by equipment ≤ 16 A per phase).
EN 61000-3-3 : 2014	Electromagnetic compatibility (EMC) - Part 3-3 : Limits - Limitation of voltage changes, voltage fluctuations and flicker in public low-voltage supply systems, for equipment with rated current ≤ 16 A per phase and not subject to conditional connection.
EN 61547 : 2009	General purpose lighting equipment - EMC immunity requirements.

ECO-CONCEPTION

2009/125/CE (21/10/2009) + 2019/2020 (01/10/2019)	European « ErP » directive + regulation.
---	--

RESTRICTION OF DANGEROUS SUBSTANCES

2011/65/UE (08/06/2011)	European directive « RoHS ».
-------------------------	------------------------------

Certificate issued on May 15th 2023

President, Frédéric Colombo

