



TYPE OF PRODUCTS

Compact luminaires with LED modules for hazardous areas II 2 G Ex db eb mb IIC T6 Gb, in accordance with directive 2014/34/EU, zones 1, 21.

MECHANICAL CONSTRUCTION

Extruded body in aluminium alloy with grey RAL 7037 polyester powder coating. End caps and closing frame in aluminium alloy (copper-free). Stainless steel screws and accessories.

LED MODULES

Optimised LED modules to ensure 110 Lm / W output and extended lifetime at 25°, L70 to 150.000 hours.

OPTICS

Polycarbonate diffuser with integrated optics, 110° opening angle in standard version.

TEMPERATURE

Operating temperature Ta : 25°C / 77°F.
Temperature range : from -20°C to +40°C (with variation of the lifetime).

POWER SUPPLY

Luminaires with integrated 220-240 V electronic power supply (EPF).

INSTALLATION

Depending on the accessories ordered (to be ordered separately), the luminaire can be surface mounted, suspended or on a 40 to 62 mm diameter arm.

WIRING

Mains connection inside the luminaire, possibility of transplanting (input-output on the same side), through 4 cable glands M25.



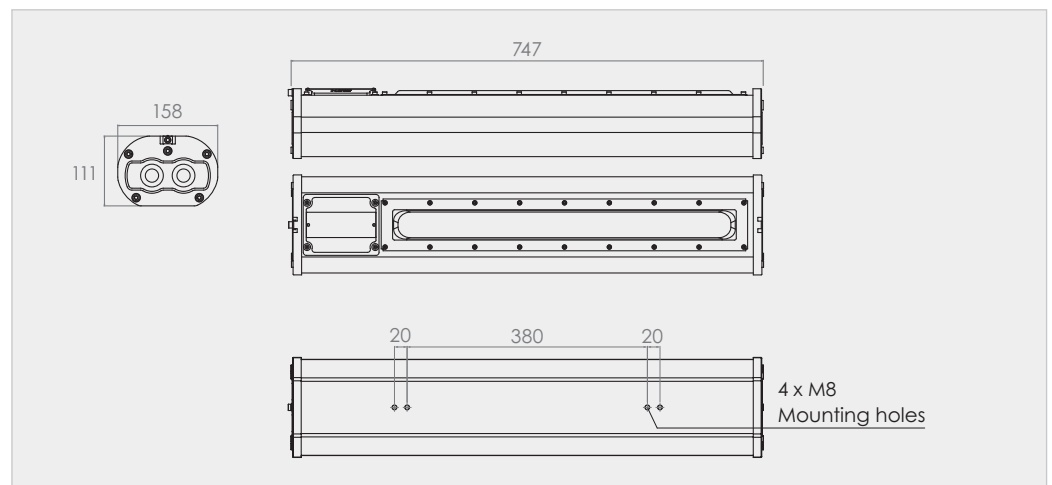
OPTION



KS3 emergency kit

Philips Trustsight BASIC kit, 3.6 V battery
4000 mAh NiMH battery, power supply
3 W for 3 h, approx. 300 Lm.

DIMENSIONS (mm)



REFERENCES AND FEATURES

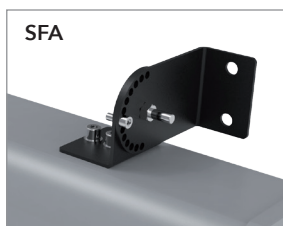
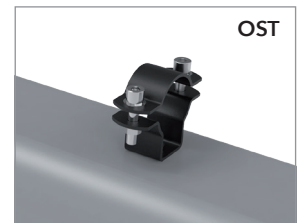
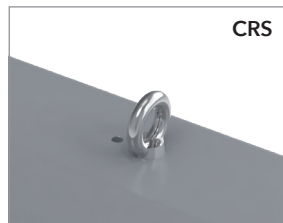
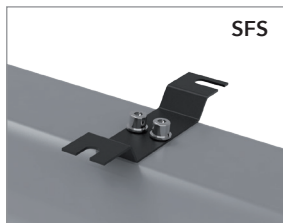
CODE	REFERENCE	L (mm)	H (mm)	P (W)	Emitted flux (Lm)	Efficiency (Lm/W)	Colour temperature (K)
ATEX - II 2 G Ex db eb mb IIC T6 Gb							
SUR1158EPF	FEL G-40 LED 747/158 4400/1 40/740 EPF	747	111	40	4400	110	4000

Light and power output tolerance +-10%

MOUNTING ACCESSORIES

CODE	REFERENCE
Bracket for surface mounting (SFS)	
A1115ACC	FEL SFS (2u.)
M8 suspension hook (CRS)	
A1116ACC	FEL CRS (2u.)
Swivel bracket for surface mounting (SFA)	
A1117ACC	FEL SFA (2u.)

CODE	REFERENCE
Arm for wall mounting (BDM)	
A1118ACC	FEL BDM (1u.)
Eyelet for clamping on a tube (OST)	
A1119ACC	FEL OST 40-51 mm (2u.)
A1120ACC	FEL OST 52-64 mm (2u.)



HOUSING FOR RECESSED MOUNTING

CODE	REFERENCE
Access from the top	
A1125ACC	FEL ENC H
Access from below	
A1126ACC	FEL ENC D

Standards and warranty

Compliance : information on the compliance of our products with the relevant standards and directives is available on our website.

Warranty : our warranty conditions are indicated in our general terms and conditions of sale. There are special conditions depending on the product range. These conditions can be checked on our website : www.isoone-cleanroom-lighting.com/conditions-generales-de-vente/

Temperature and switches on : the operating temperature and the number of daily switches have an influence on the lifetime of the products. Our luminaires are designed to withstand at least 15.000 switches on following EU 1194/2012.

Please consult us for more information.

Note

ISOONE reserves the right to modify or update this document at any time within the framework of the technological evolution and the updating of our technical documentation. Despite the care taken in the design and the updating of this card, it can not under any circumstances constitute a contractual document.